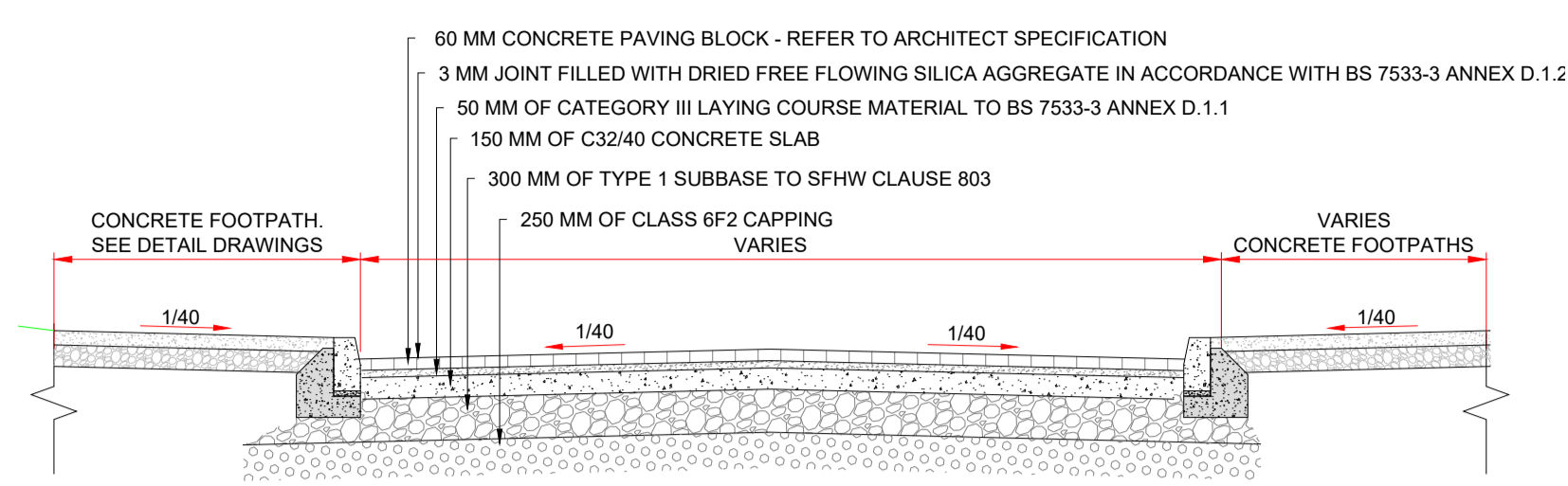
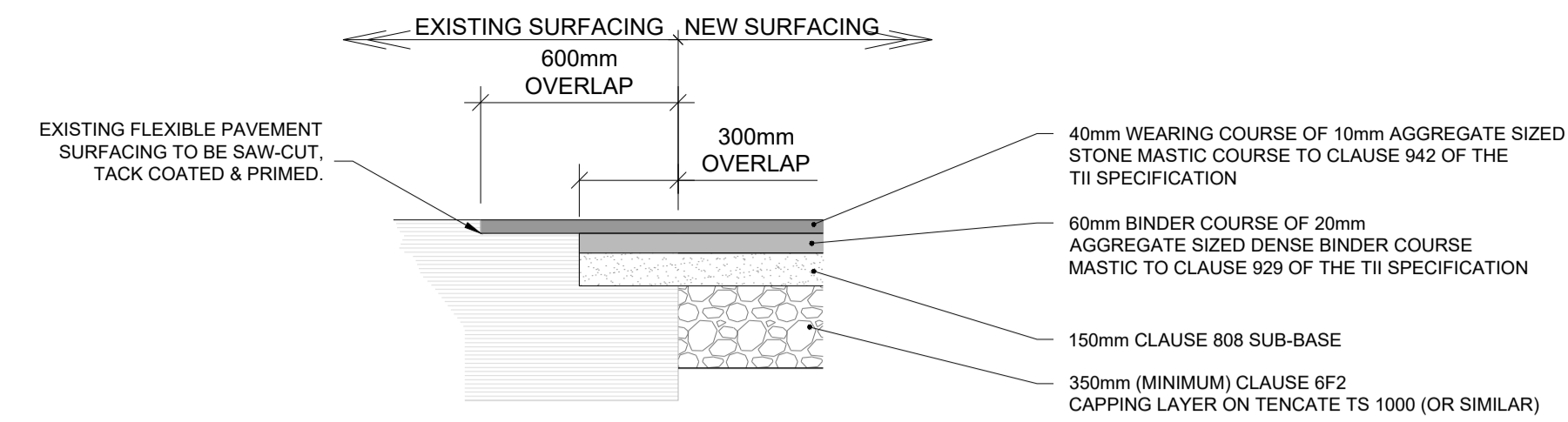


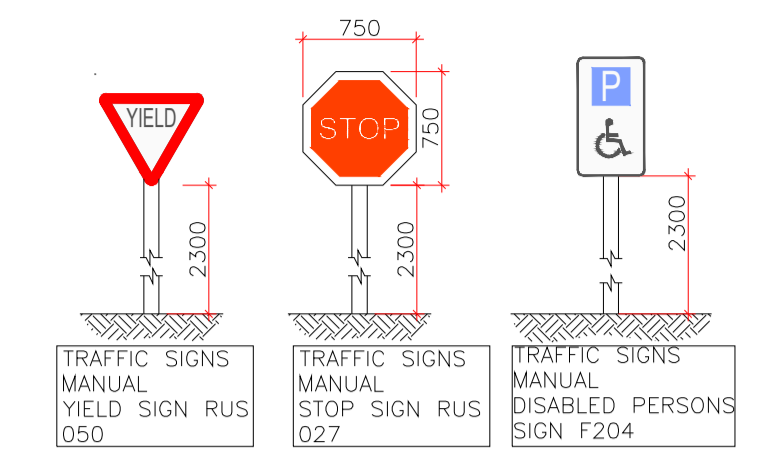
TYPICAL ROAD CROSS SECTION
SCALE 1:50



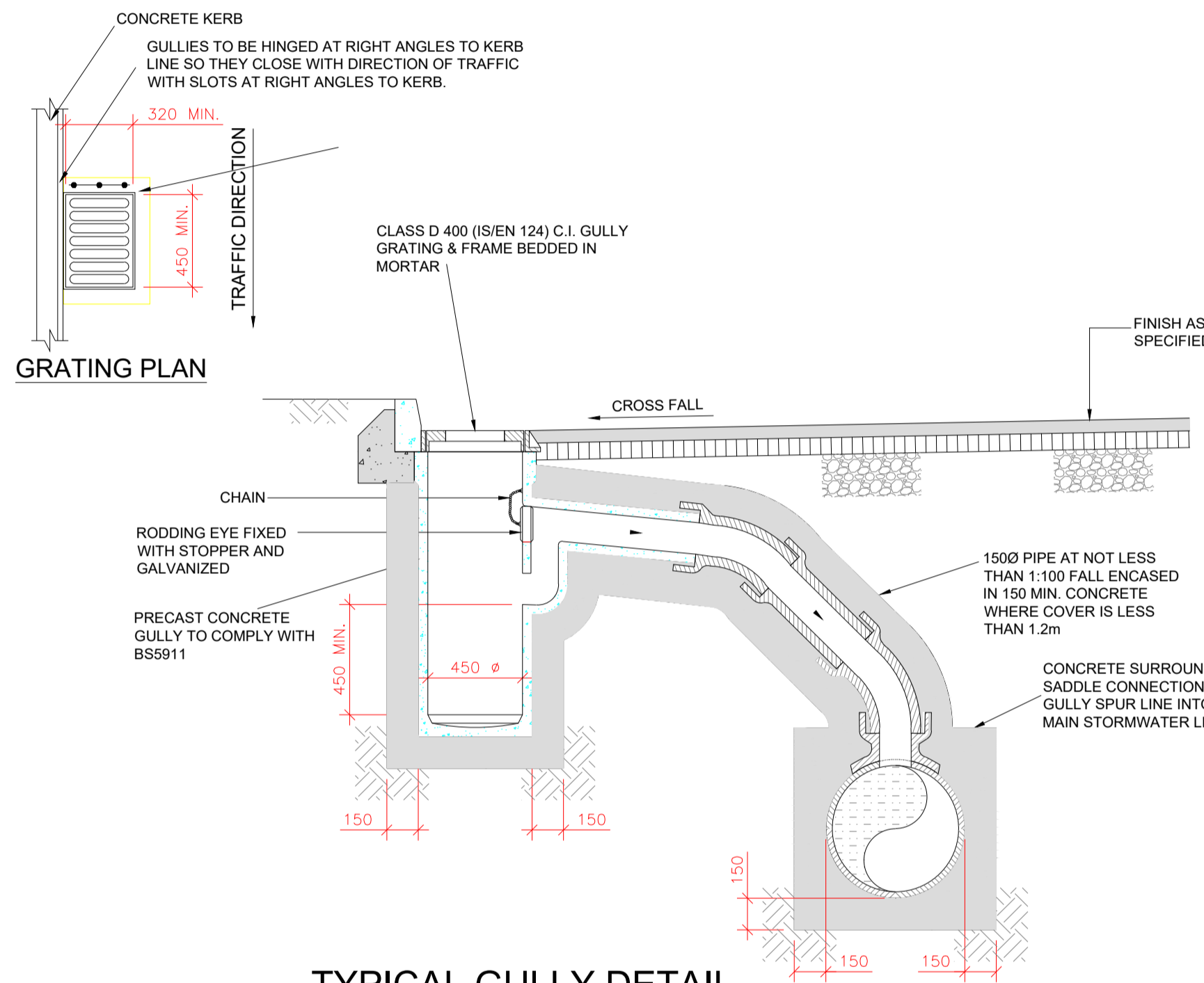
TYPICAL 'SHARED SURFACE' ROAD CROSS SECTION
SCALE 1:50



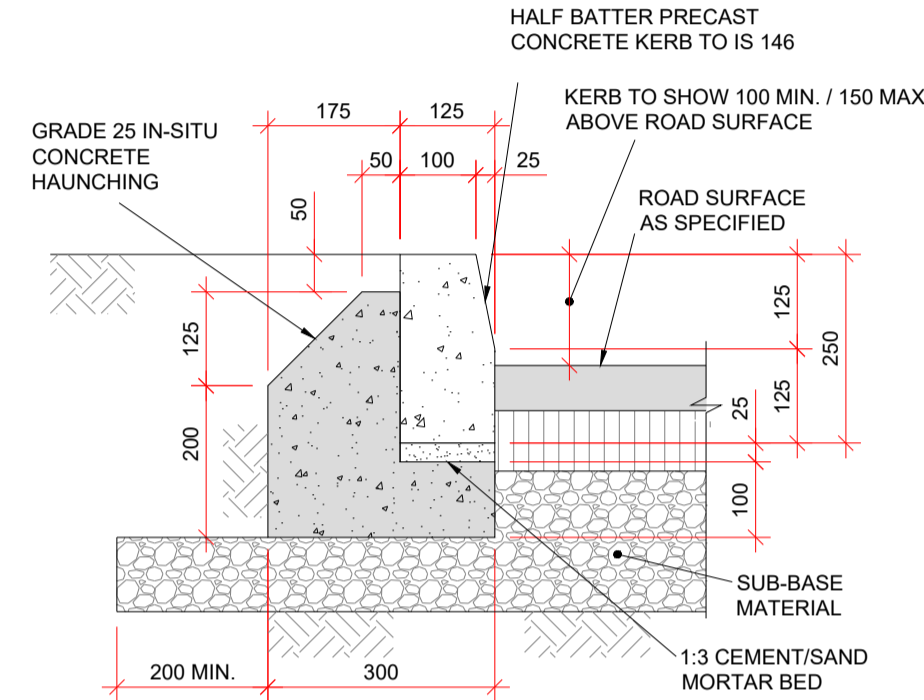
SURFACING INTERFACE DETAIL, EXISTING / PROPOSED ASPHALT
SCALE 1:20



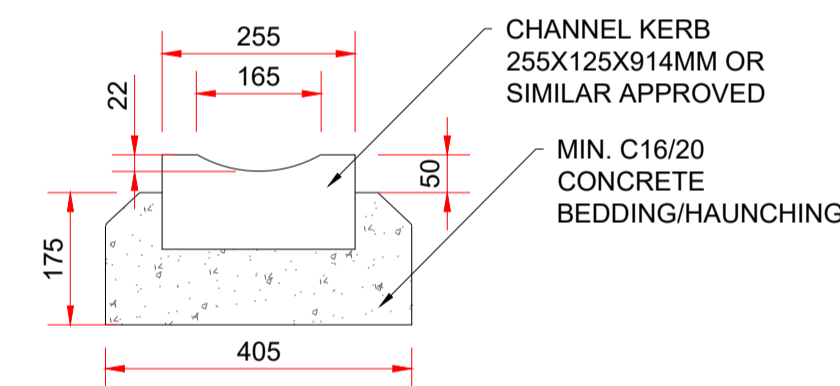
TYPICAL ROAD SIGNS
SCALE 1:50



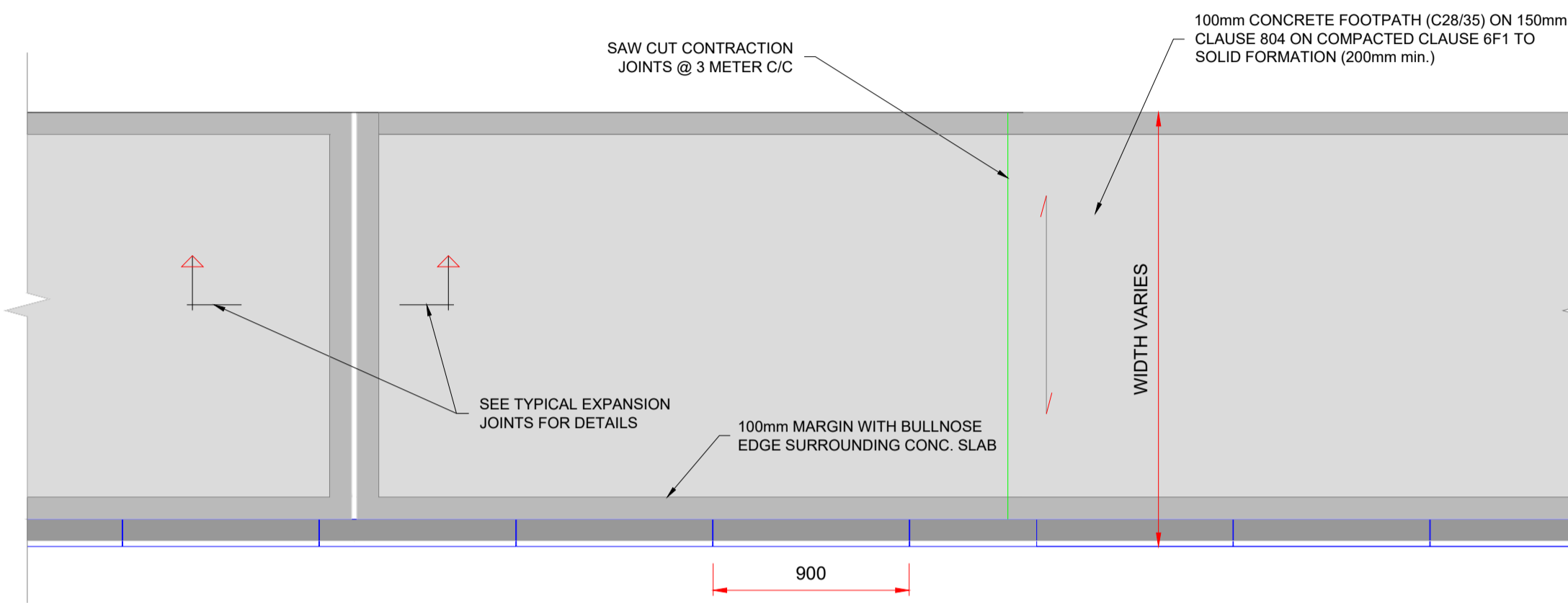
TYPICAL GULLY DETAIL
SCALE 1:25



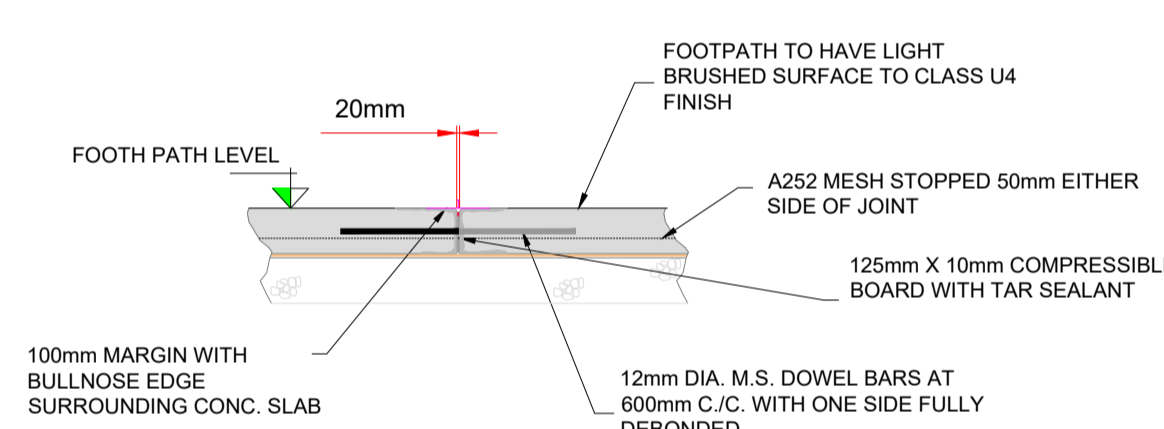
TYPICAL KERB DETAIL
SCALE 1:10



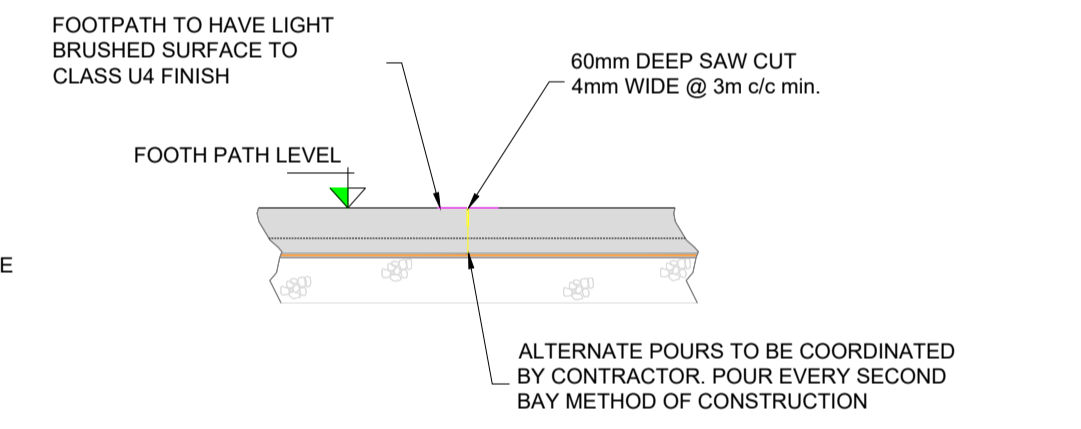
TYPICAL DRAINAGE CHANNEL KERB DETAILS
SCALE 1:10



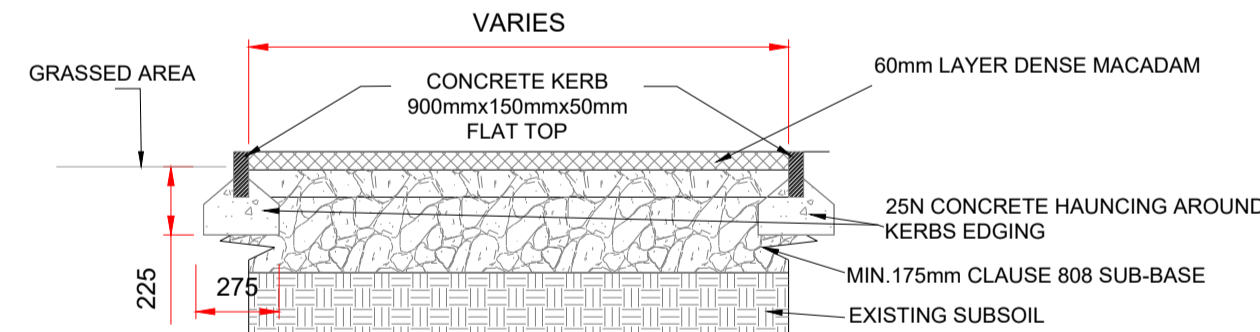
TYPICAL PLAN OF FOOTPATH
SCALE 1:25



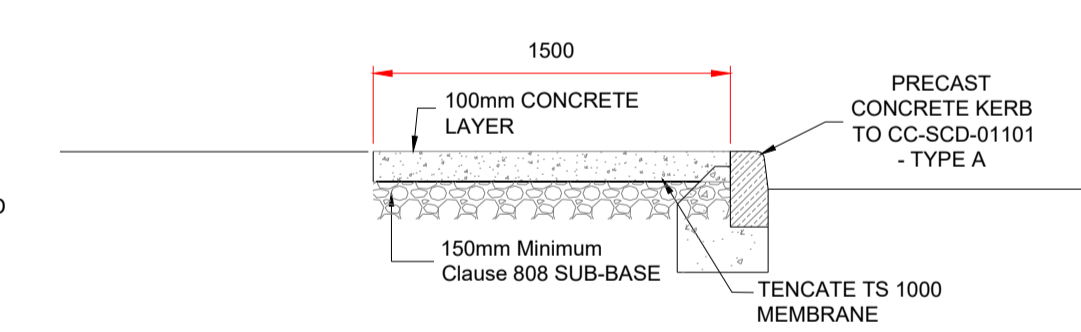
TYPICAL FOOTPATH EXPANSION JOINT - MIN. @ 24m CTRS
SCALE 1:25



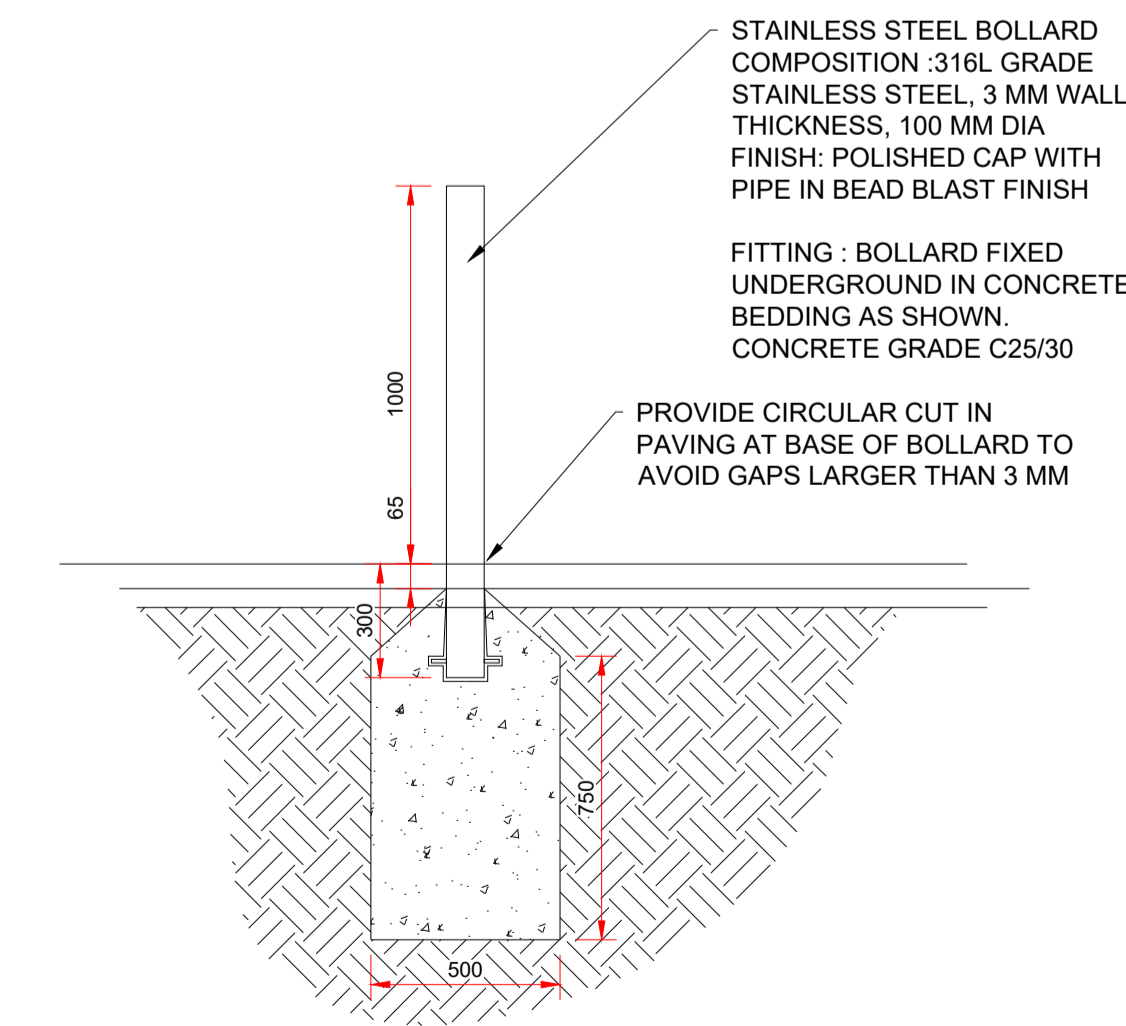
TYPICAL FOOTPATH COUNSTRUCTION/ CONSTRUCTION JOINT - MIN. 3m CTRS
SCALE 1:25



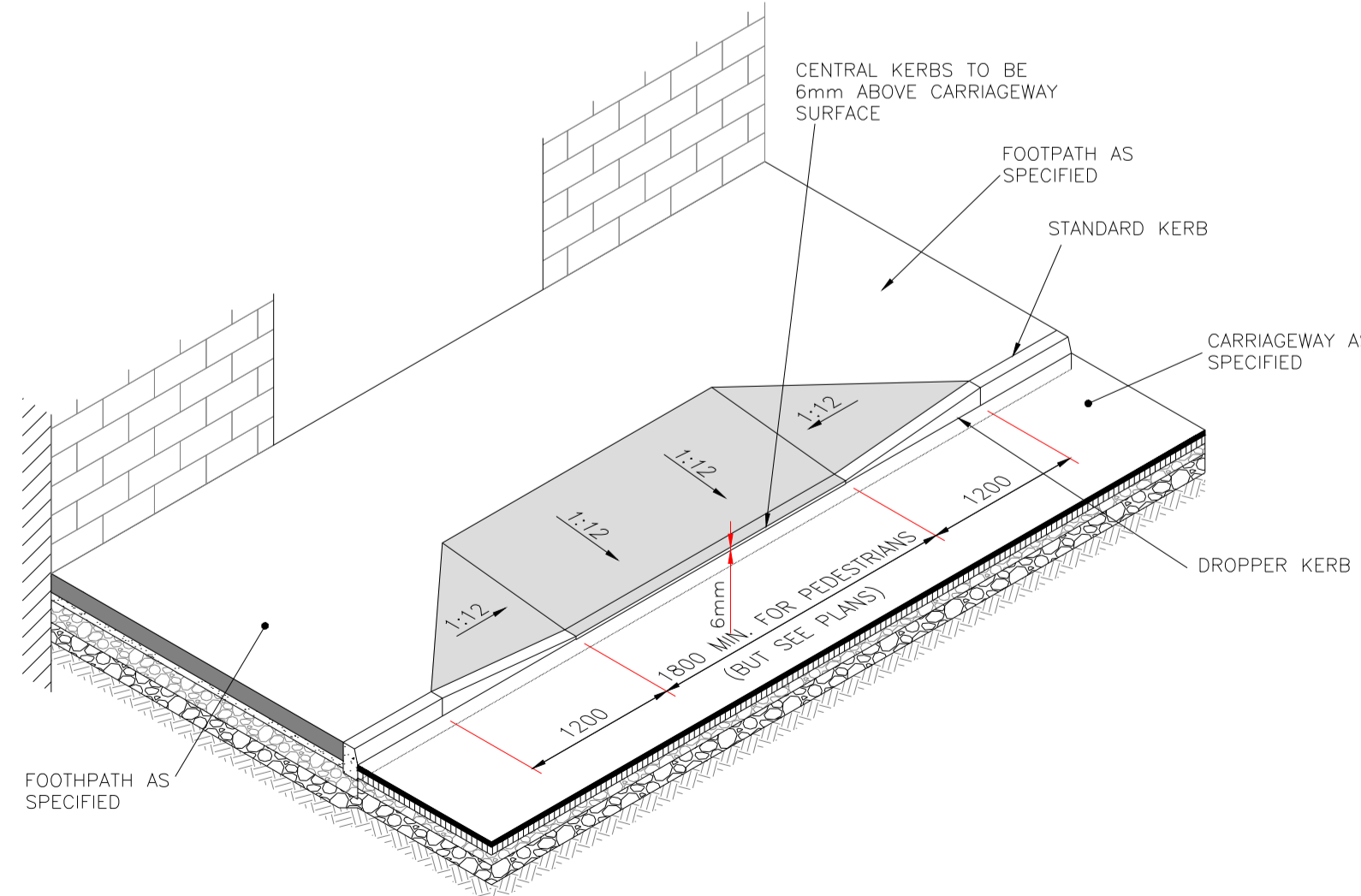
TYPICAL MACADAM FOOTPATH
SCALE 1:25



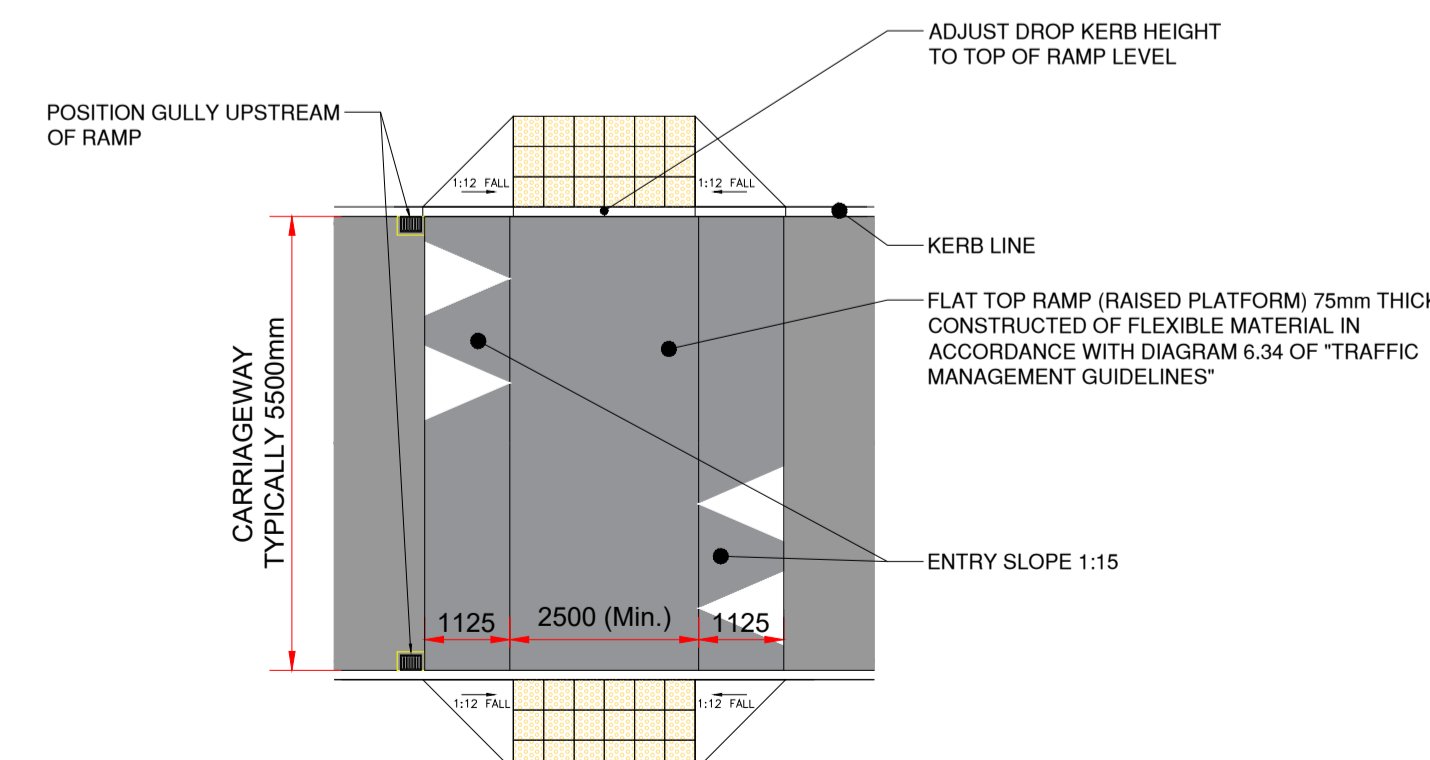
TYPICAL CONCRETE FOOTPATH
SCALE 1:25



BOLLARD FOUNDATION DETAIL
Scale 1:20



TYPICAL DROPPED KERB GEOMETRY
SCALE 1:50



COMBINED RAMP AND PEDESTRIAN CROSSING
SCALE 1:100

- NOTES:**
- FIGURED DIMENSIONS ONLY TO BE TAKEN FROM THIS DRAWING.
 - ALL DRAWINGS TO BE CHECKED BY THE CONTRACTOR ON SITE.
 - ENGINEER/EMPLOYERS REPRESENTATIVE, AS APPROPRIATE, TO BE INFORMED BY THE CONTRACTOR OF ANY DISCREPANCIES BEFORE ANY WORK COMMENCES.
 - THE CONTRACTOR SHALL UNDERTAKE A THOROUGH CHECK FOR THE ACTUAL LOCATION OF ALL SERVICES/UTILITIES, ABOVE AND BELOW GROUND, BEFORE ANY WORK COMMENCES.
 - ALL LEVELS SHOWN RELATE TO ORDNANCE SURVEY DATUM AT MALIN HEAD.

Rev	Date	Description	By	Chkd.
P01	07.07.2022	Issued For Planning	PMcC	BH

Client: **Lock House Developments Ltd.**

Project: **Strategic Housing Development at Bothair Na Choiste Castlegar, Galway.**

Title: **Typical Site Works Details**

Scale @ A1: **As Shown**

Prepared by: **PMcC** Checked: **BH** Date: **July 2022**

Project Director: **Brian Carroll**

Drawing Status: **Planning**

TOBIN
CONSULTING ENGINEERS

TOBIN Consulting Engineers,
Fairgreen House, Fairgreen Road,
Galway, Ireland.
tel: +353-(0)91-565211
fax: +353-(0)91-565398
e-mail: galway@tobin.ie
www.tobin.ie

Drawing No.: **10750-2125** P01